

WESTERN MULE
TM

FOLD-A-WAY
CRANE

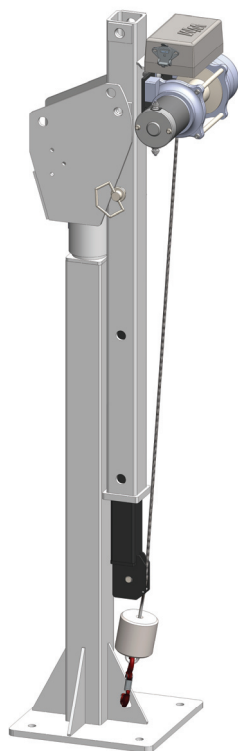
www.westernmule.com

P-5A-CCTV TRANSIT

Lifting Capacity: 1,000 lbs.



COMPACT FOLD-DOWN BOOM



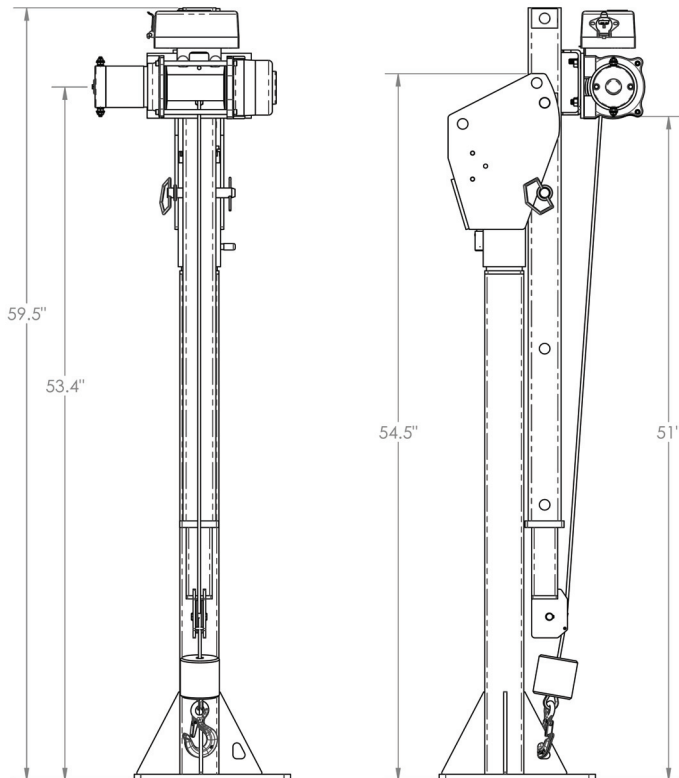
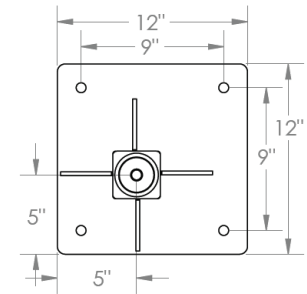
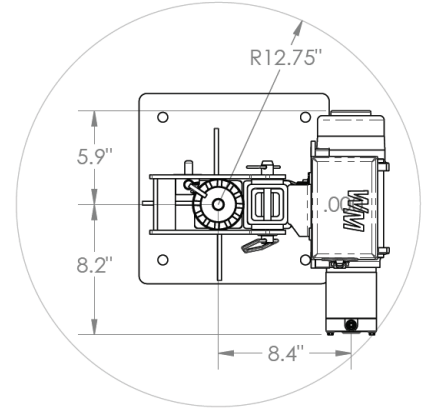
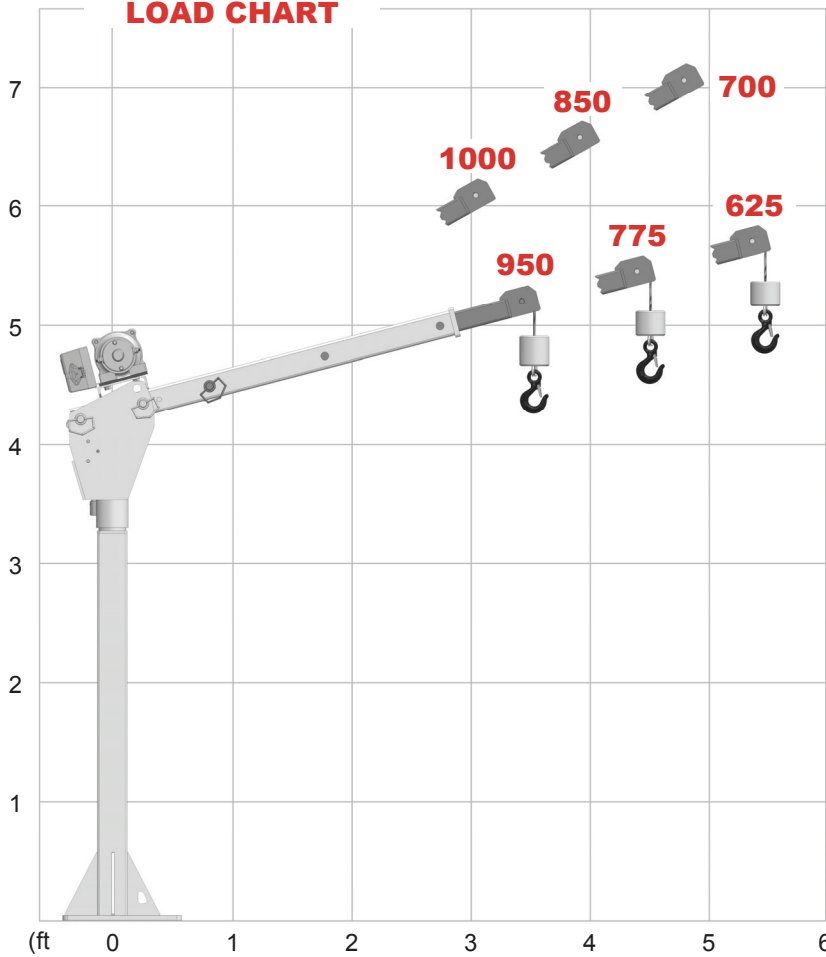
FEATURES

- ▶ 1,000 lbs. Max. Lifting Capacity
- ▶ Two Boom Elevation Angles
- ▶ Three Position Telescoping Boom
- ▶ Manual Rotation on a Sealed Thrust Bearing with Stops
- ▶ Positive Rotation Lock –Secures Rotation at 12° Increments
- ▶ 12V-DC Standard. Maximum 80 Amps
- ▶ 10' Detachable Remote Pendant Control
- ▶ 75' x 5/32" Lifting Cable & Safety Hook
- ▶ Circuit Breaker Protected
- ▶ Durable Powder Coat Finish (Light Gray)
- ▶ 1-Year Warranty (excluding lifting cable)

R216

P-5A-CCTV

LOAD CHART



STANDARD FEATURES

MODEL:	P-5A-CCTV
Lifting Capacity (maximum)	1,000 Lbs
Lifting Height Max. Std. (base to hook)	76"
Storage Height Folded (from base)	59.5"
Reach Max. (from center of rotation)	66"
Rotation (continuous) with Lock	360° Manual
Lifting Cable	75' x 5/32"
Line Speed (feet/min) No Load / Load	16 / 6
Power Requirements	12 VDC 70 amps
Controls	10' Remote
Mounting Base	12" x 12"
Mounting Bolt Hole Pattern	9" x 9"
Finish	Lt. Gray Powder Coat
Weight of Crane / Shipping Weight (Lbs)	190 / 235
Warranty (excluding lifting cable)	1-Year

Optional mast heights and custom configurations are available.

R216