



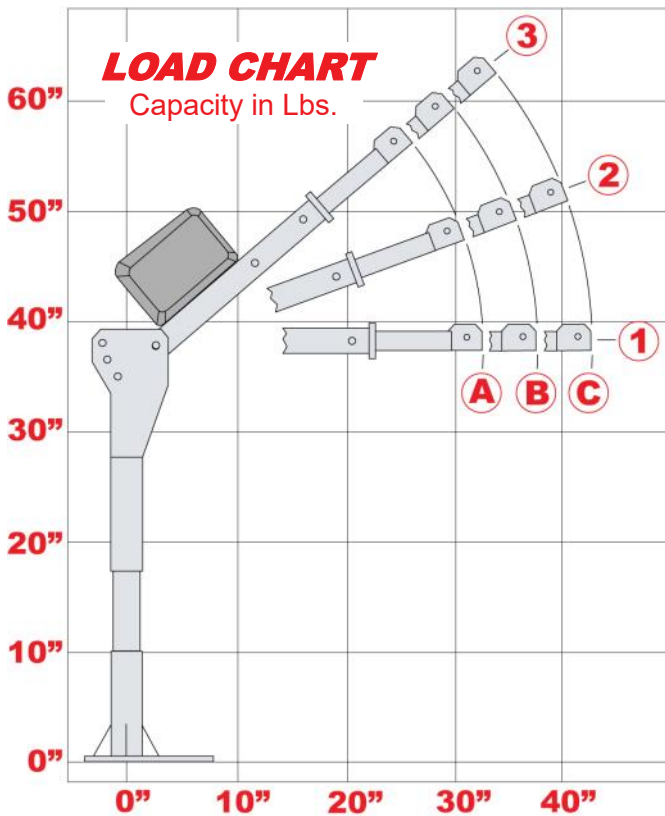
Shown with option #WP-090
 +9" Taller Mast Height



**COMPACT
 FOLD-DOWN BOOM**



- ▶ Model: P7-VAN = 700 Lbs. Maximum Lifting Capacity
- ▶ Model: P10-VAN = 1,000 Lbs. Maximum Lifting Capacity
- ▶ Three Boom Elevation Angles: 0°, 20°, 40° raised manually
- ▶ Three Position Telescoping Boom: Extended Manually
- ▶ 360° Manual Rotation on a Sealed Thrust Bearing
- ▶ Rotation Hand Brake
- ▶ 12V-DC Standard, 80-Amp Maximum
- ▶ Detachable Power Cable
- ▶ 10' Remote Pendant Control, Detachable
- ▶ 20' x 3/16" Lifting Cable & Safety Hook
- ▶ Circuit Breaker Protected
- ▶ Durable Powder Coat Finish (Gloss White)
- ▶ 1-Year Warranty (excluding lifting cable)

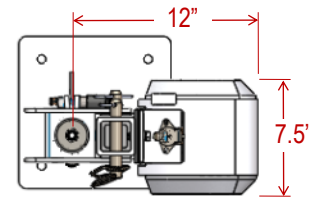
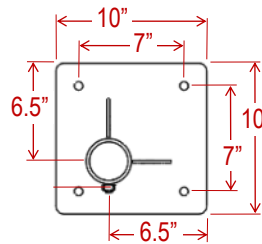


P7-VAN LOAD CHART (Lbs.)

Boom	A	B	C
3	700	685	675
2	700	675	650
1	700	665	625

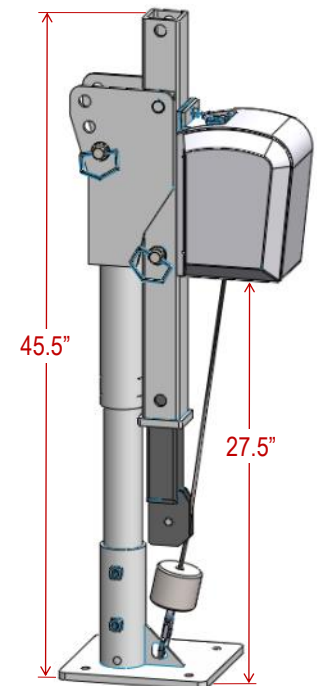
P10-VAN LOAD CHART (Lbs.)

Boom	A	B	C
3	1000	900	800
2	1000	885	775
1	1000	875	750



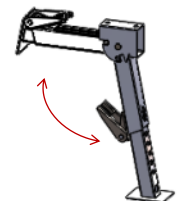
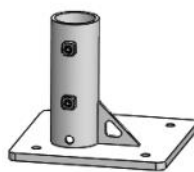
STANDARD FEATURES

MODEL:	P7-VAN	P10-VAN
Lifting Capacity (maximum)	700 lbs.	1000 lbs.
Lifting Height Max. Std. (base to hook)	57"	57"
Storage Height Folded (from base)	45.5"	45.5"
Reach Max. (from center of rotation)	43"	43"
Rotation (continuous) with Brake	360° Manual	360° Manual
Lifting Cable	20' x 3/16"	20' x 3/16"
Line Speed (feet/min) No Load / Load	16 / 6	16 / 6
Power Requirements	12V-DC 70 amps	12V-DC 70 amps
Controls	10' Remote	10' Remote
Mounting Base	10" x 10"	10" x 10"
Mounting Bolt Hole Pattern	7" x 7"	7" x 7"
Finish	White Powder-Coat	White Powder-Coat
Weight of Crane/Shipping Weight (Lbs)	118 / 160	118 / 160
Warranty (excluding lifting cable)	1-Year	1-Year



OPTIONS

Part #	Description
WP-090	Taller Mast +9" (upgrade)
WP-120	Taller Mast +12" (upgrade)
WA-34	Fold-Down Adjustable Outrigger
WP-110	Extra Mounting Base - (Standard)
WP-114	Extra Mounting Base - (Inverted)



WP-110 Standard

WP-114 Inverted

WA-34 Outrigger

We reserve the right under the Product Improvement Policy to change specifications without notice or reference to specification used herein.

R217

WESTERN MULE CRANES 1510 Merced St. Fresno, CA USA
Ph: (800)288-6853, (559)266-6977 ♦ Fax: (559)266-7437 ♦ www.westernmule.com

