



TM SINCE 1982

www.westernmule.com

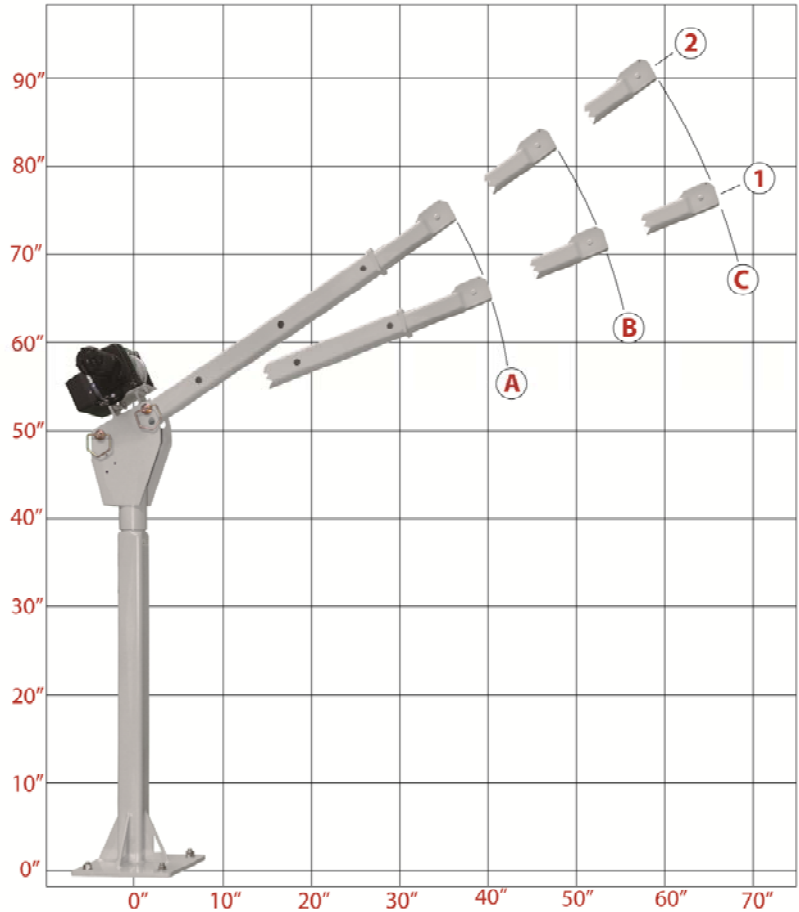
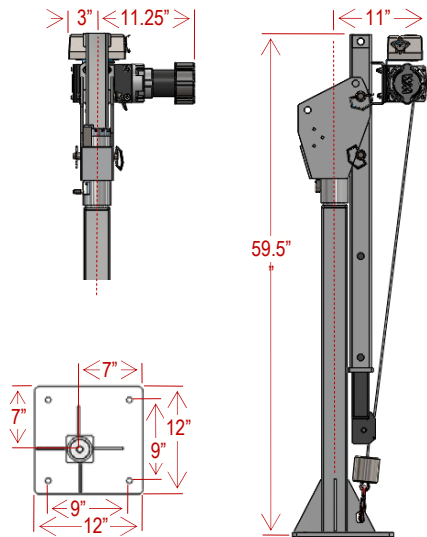
MODEL: P-20

Lifting Capacity: 2,000 Lbs.

LOAD CHART

Boom Position	A	B	C
2	2000	1600	1300
1	1800	1350	1000

Capacity in Lbs.



- ▶ 2,000 Lbs. Maximum Lifting Capacity
- ▶ 6 Position Manually Adjustable Boom (Up to 88" of lifting height)
- ▶ 360° Manual Rotation; rotating upon sealed bearings
- ▶ Positive Rotation Lock: secures the boom at 12 fixed points
- ▶ 12V-DC Powered, up/down, with Dual Internal Braking
- ▶ 25' x 7/32" Galvanized Aircraft Cable and Safety Hook
- ▶ 10' Detachable Remote Pendant Control
- ▶ Crane is pre-wired, factory tested
- ▶ Detailed installation and operating instructions provided
- ▶ Durable Powder Coat Finish (Light Grey)
- ▶ Crane weight is 218 lbs (Shipping wt: 235 lbs)
- ▶ 1-Year Limited Warranty (excluding lifting cable)

NOTE: Custom configurations of this and all models of Western Mule Cranes are available. This crane can be tailored to your specific application. Variation includes, but is not limited to specifying a maximum stored height, custom boom length, additional lifting height, or a custom mounting base. Please inquire for more details.

We reserve the right under the Product Improvement Policy to change specifications without notice or reference to specification used herein.

R217